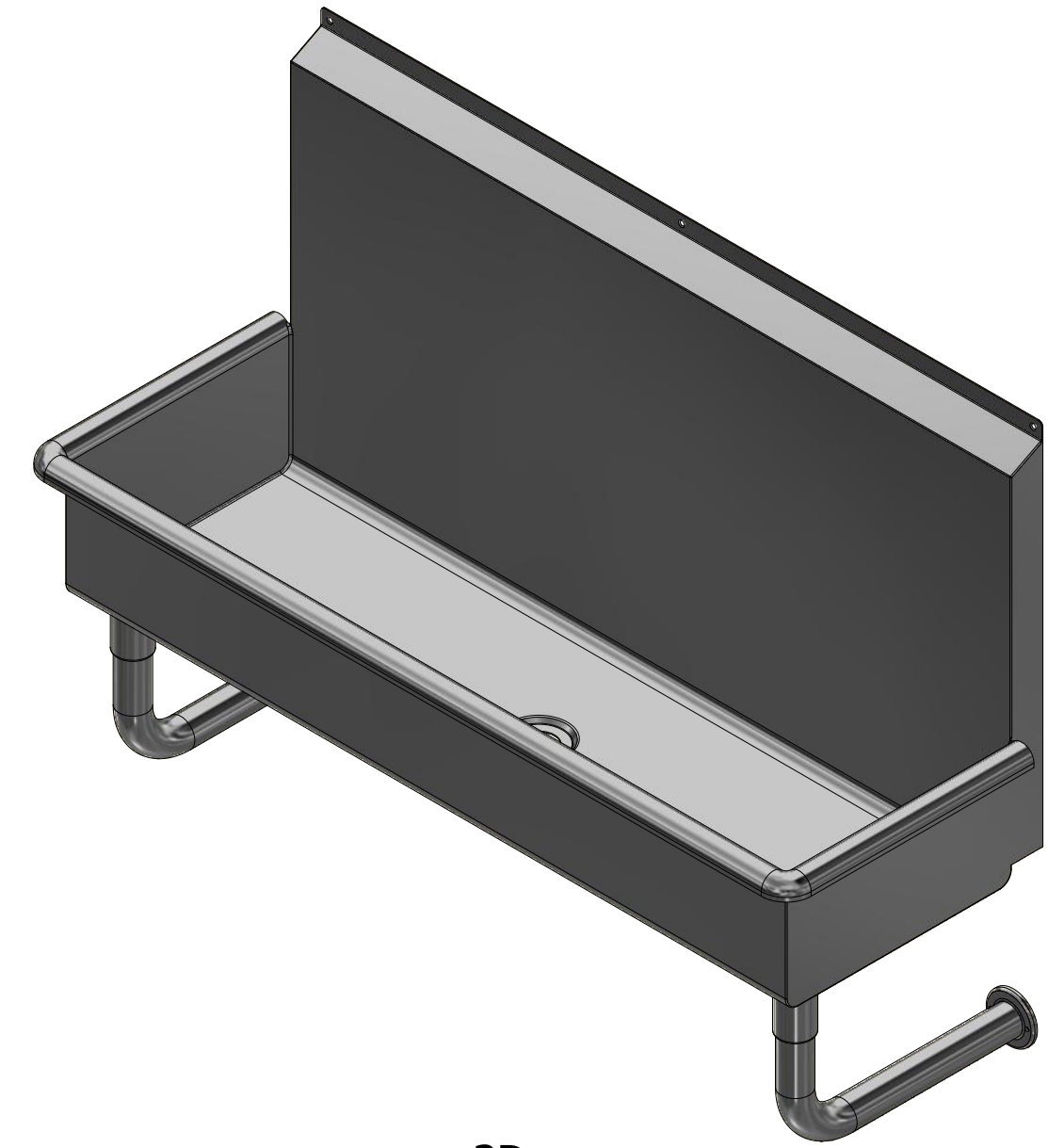
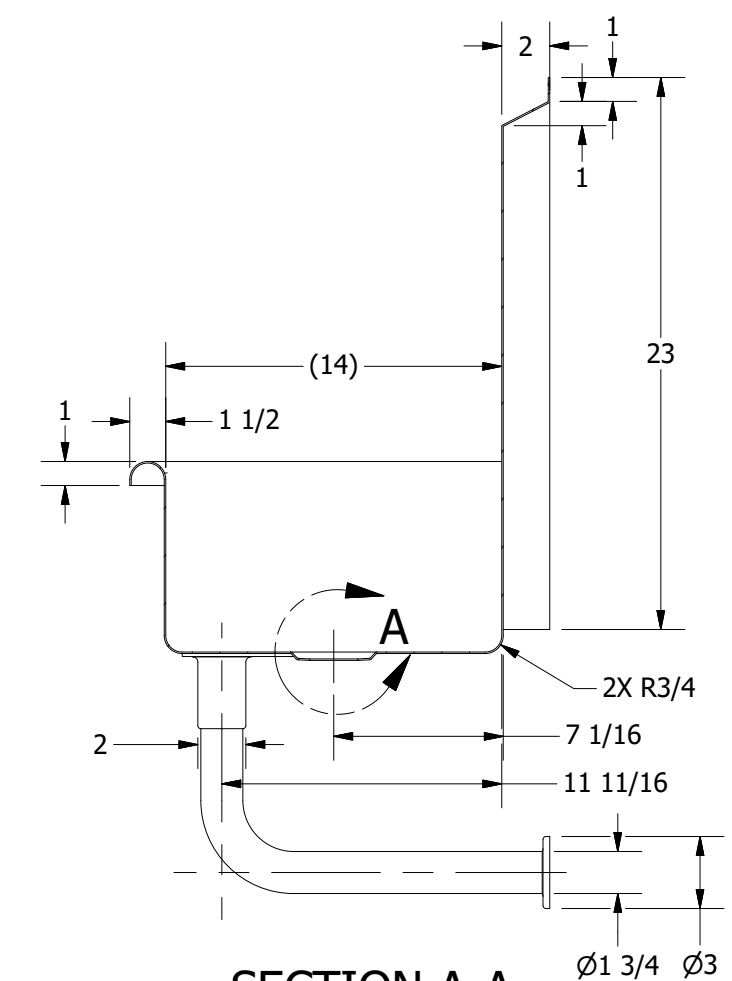
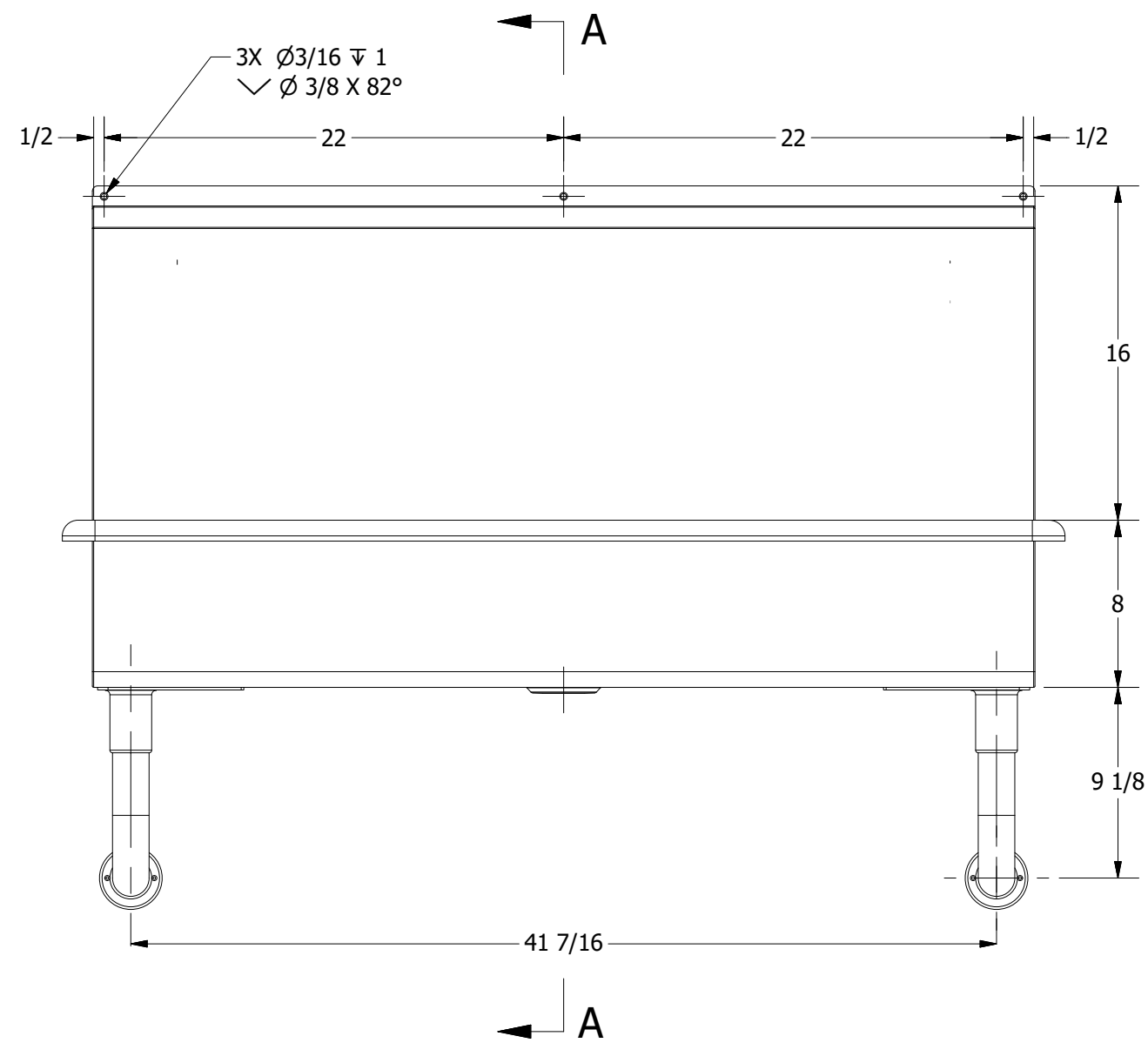


DETAIL A
SCALE 1 / 2



3D
SCALE 1/8



SECTION A-A
SCALE 1/8

| REV | DESCRIPTION | DATE | APPROVED |
|------------------|-------------|------|----------|
| REVISION HISTORY | | | |



| | | | |
|---|----------------|--------------------------------|----------------------------------|
| PART NUMBER | PA.48FP | TITLE | PALUXY |
| PRODUCT CATEGORY | URINAL | DESCRIPTION | 16 GA PALUXY - FLUSH PIPE URINAL |
| THE INFORMATION CONTAINED IN THIS DRAWING IS THE SOLE PROPERTY OF GRIFFIN PRODUCTS, INC. ANY REPRODUCTION IN PART OR AS A WHOLE WITHOUT THE WRITTEN PERMISSION FROM GRIFFIN PRODUCTS, INC. IS PROHIBITED. | | MATERIAL | 16GA (0.06) 304 STAINLESS STEEL |
| DRW. BY / DATE | DNZ 08/23/18 | APPROVED BY / DATE | |
| | | ALL DIMENSIONS ARE IN X INCHES | |
| REV. | SCALE | SIZE | SHEET |
| | 1/8 | C | 1 / 1 |